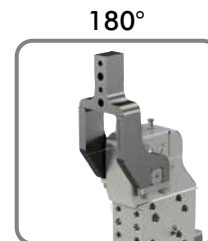
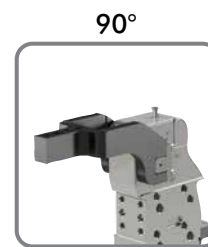
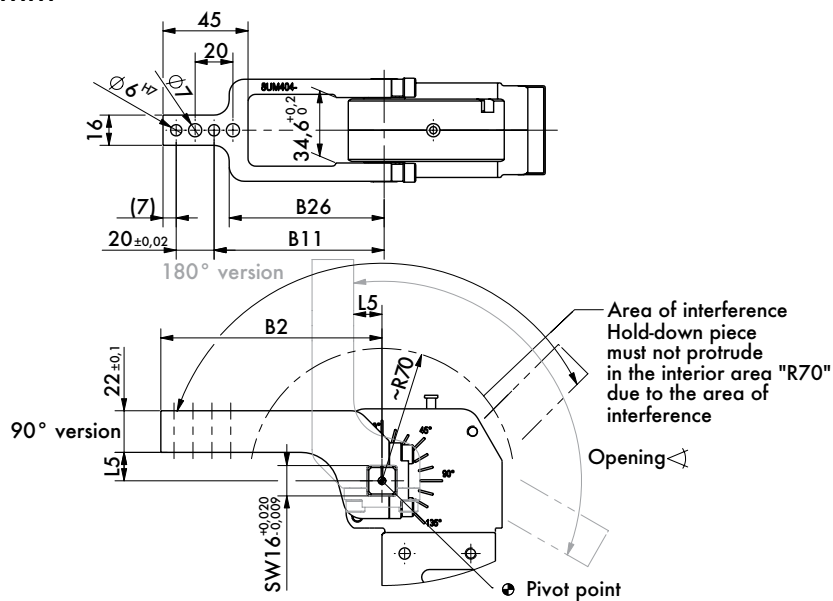


# U-ARMS CENTER (ALUMINUM)

Enclosed Pneumatic Power Clamps | Heavy-Duty Modular | Dimensions and Technical Specifications

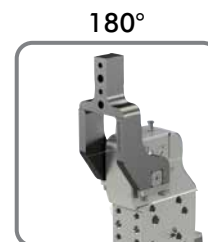
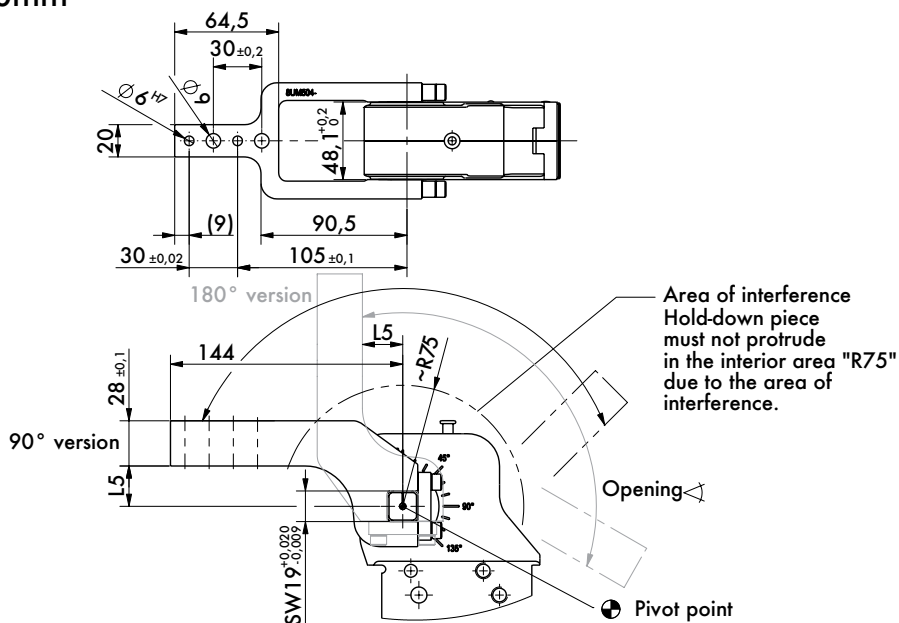
For Size 40mm



8UM404-00-117  
8UM404-15-117  
8UM404-25-117  
8UM404-45-107

Arm Model No.	Max. Opening 90° Version	Max. Opening 180° Version	Weight (kg)	B2	B11 ±0,1	B26	L5
8UM404-00-117	135°	105°	0,23	117	90	82	0
8UM404-15-117		120°	0,24				15
8UM404-25-117		135°	0,25				25
8UM404-45-107	130°	135°	0,24	107	80	72	45

For Size 50mm



8UM504-15-144  
8UM504-25-144  
8UM504-45-144

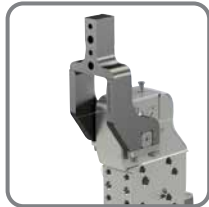
Arm Model No.	Max. Opening 90° Version	Max. Opening 180° Version	Weight (kg)	L5
8UM504-15-144	135°	105°	0,44	15
8UM504-25-144		120°	0,45	25
8UM504-45-144		135°	0,48	45

# U-ARMS CENTER (ALUMINUM)

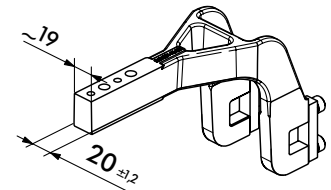
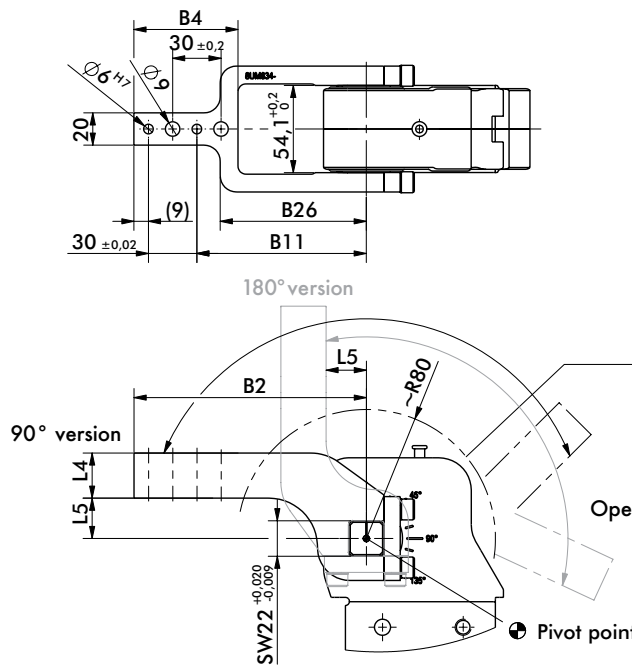
Enclosed Pneumatic Power Clamps | Heavy-Duty Modular | Dimensions and Technical Specifications



180°



8UM634-15-144  
8UM634-25-144  
8UM634-45-144  
8UM631-75-204\*



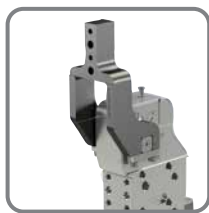
For Size 63mm  
Dimensions are only for 8UM631-75-204

Arm Model No.	Max. Opening 90° Version	Max. Opening 180° Version	Weight (kg)	B2	B4	B11 ±0,1	B26	L4 ±0,1	L5
8UM634-15-144	135°	105°	0,50						15
8UM634-25-144		120°	0,53	144	64,5	105	90,5	28	25
8UM634-45-144		135°	0,56						45
8UM631-75-204*		1,7	204	82	165	107	30	75	

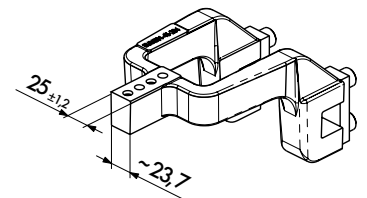
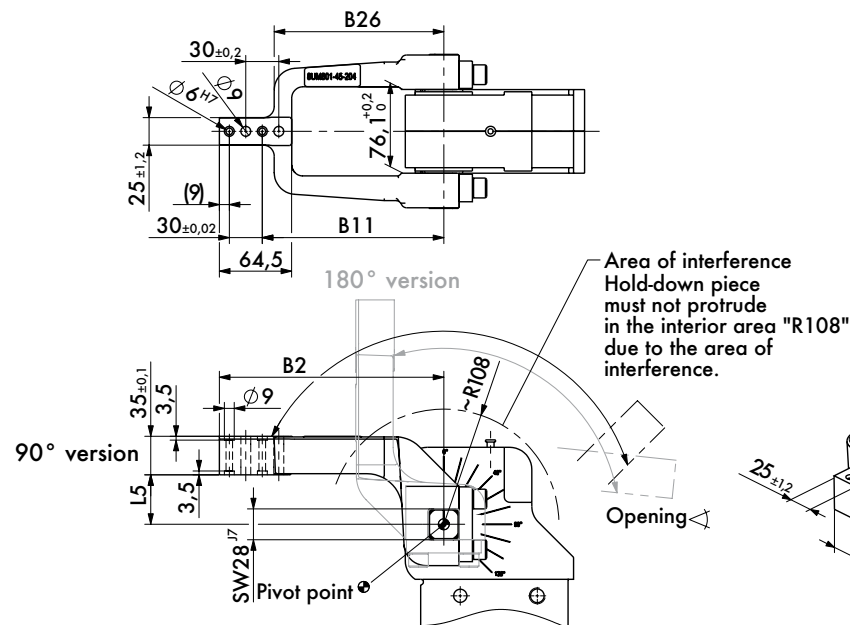
\* only steel version available.



180°



8JG-169-2-01  
8UM801-45-204



For Size 80mm

Arm Model No.	Max. Opening 90° Version	Max. Opening 180° Version	Weight (kg)	B2	B11 ±0,1	B26	L5** ±0,2
8JG-169-2-01	135°	105°	3,5	179	140	129	20
8UM801-45-204*		135°	4,1	204	165	154	45

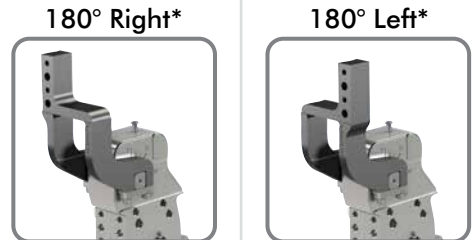
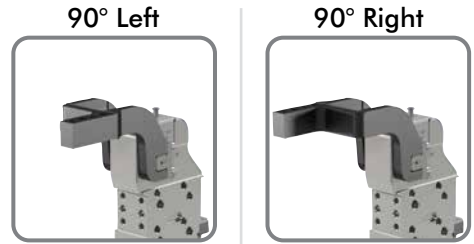
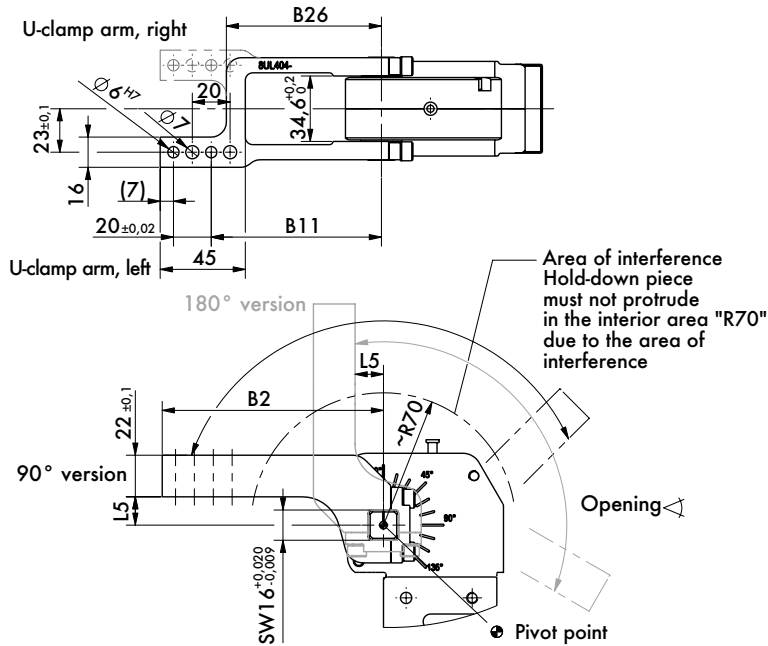
\*only steel version available.

\*\* Tolerance measured 80mm from pivot point.

# U-ARMS OFFSET (ALUMINUM)

Enclosed Pneumatic Power Clamps | Heavy-Duty Modular | Dimensions and Technical Specifications

For Size 40mm



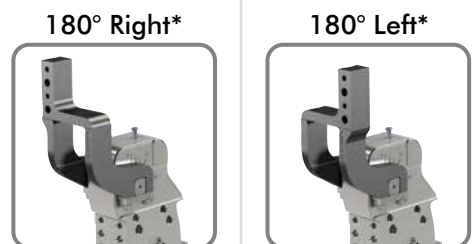
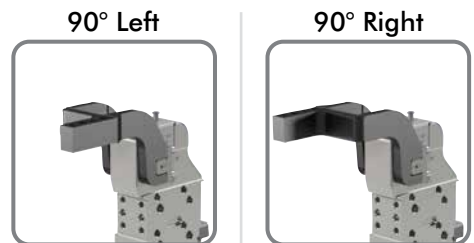
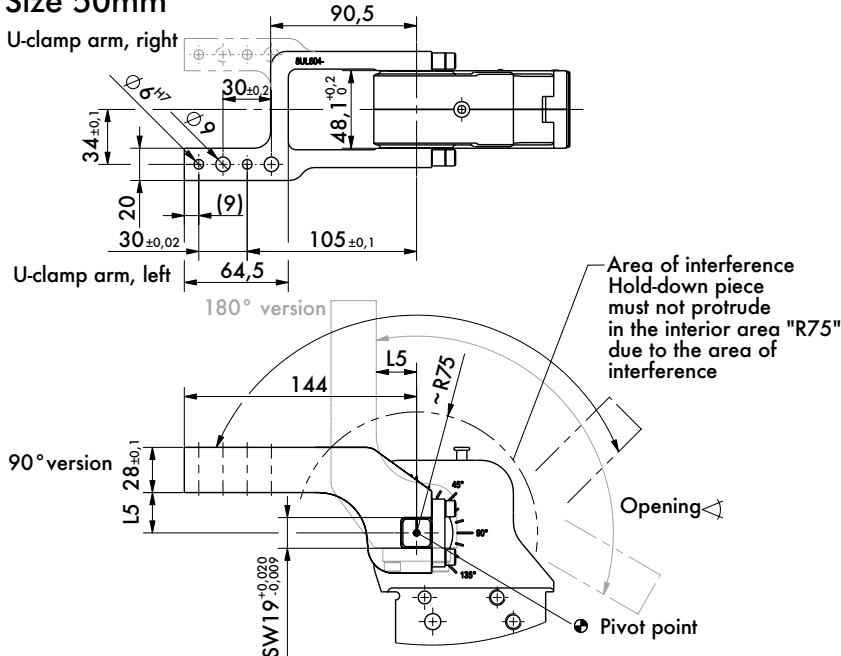
8UL404-00-117  
8UL404-15-117  
8UL404-25-117  
8UL404-45-107

8UR404-00-117  
8UR404-15-117  
8UR404-25-117  
8UR404-45-107

\*90° left/180° right uses same clamp arm.  
90° right/180° left uses same clamp arm.

Arm Model No.	Max. Opening 90° Version	Max. Opening 180° Version	Weight (kg)	B2	B11 ±0,1	B26	L5
8U(•)404-00-117		105°	0,23				0
8U(•)404-15-117	135°	120°	0,24	117	90	82	15
8U(•)404-25-117		135°	0,25				25
8U(•)404-45-107	130°		0,25	107	80	72	45

For Size 50mm



8UL504-15-144  
8UL504-25-144  
8UL504-45-144

8UR504-15-144  
8UR504-25-144  
8UR504-45-144

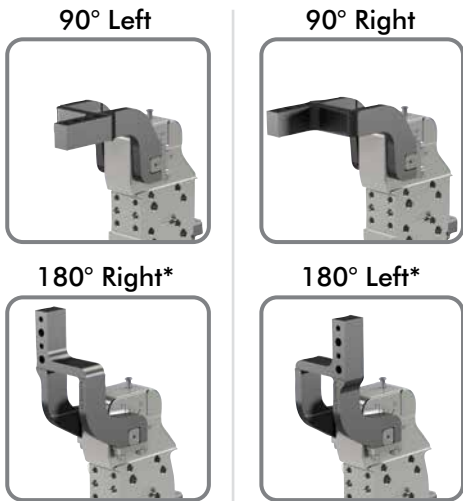
\*90° left/180° right uses same clamp arm.  
90° right/180° left uses same clamp arm.

Arm Model No.	Max. Opening 90° Version	Max. Opening 180° Version	Weight (kg)	L5
8U(•)504-15-144		105°	0,45	15
8U(•)504-25-144	135°	120°	0,46	25
8U(•)504-45-144		135°	0,49	45

# U-ARMS OFFSET (ALUMINUM)

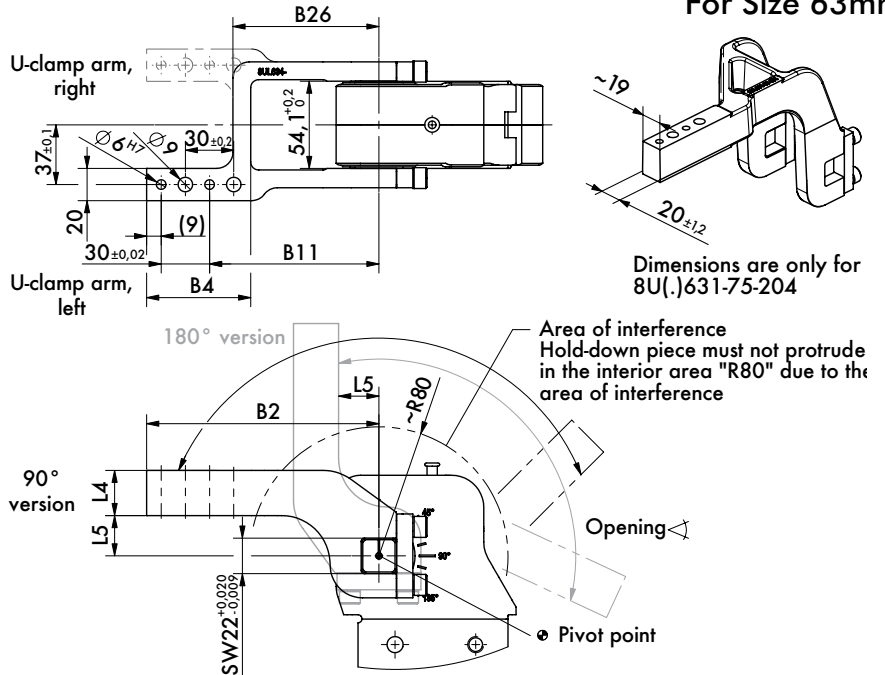
Enclosed Pneumatic Power Clamps | Heavy-Duty Modular | Dimensions and Technical Specifications

For Size 63mm



8UL634-15-144      8UR634-15-144  
 8UL634-25-144      8UR634-25-144  
 8UL634-45-144      8UR634-45-144  
 8UL631-75-204\*\*    8UR631-75-204\*\*

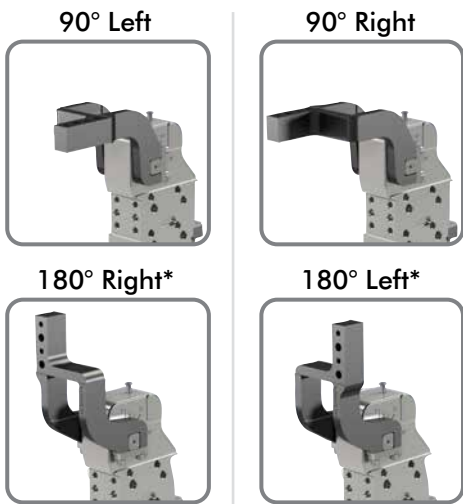
\*90° left/180° right uses same clamp arm.  
 90° right/180° left uses same clamp arm.



Arm Model No.	Max. Opening 90° Version	Max. Opening 180° Version	Weight (kg)	B2	B4	B11 ±0,1	B26	L4 ±0,1	L5
8U(•)634-15-144	135°	105°	0,52						15
8U(•)634-25-144		120°	0,54	144	64,5	105	90,5	28	25
8U(•)634-45-144		135°	0,58						45
8U(•)631-75-204**		1,9	204	82	165	119	30	75	

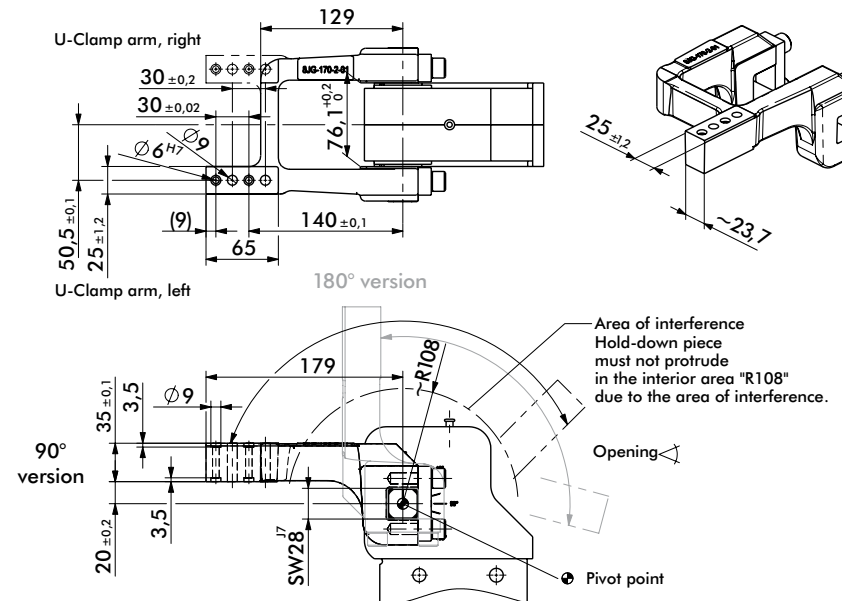
\*\* only steel version available.

For Size 80mm



8JG-170-2-01      8JG-171-2-01

\*90° left/180° right uses same clamp arm.  
 90° right/180° left uses same clamp arm.



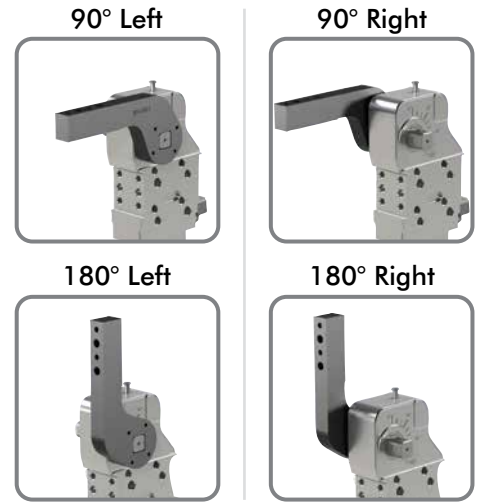
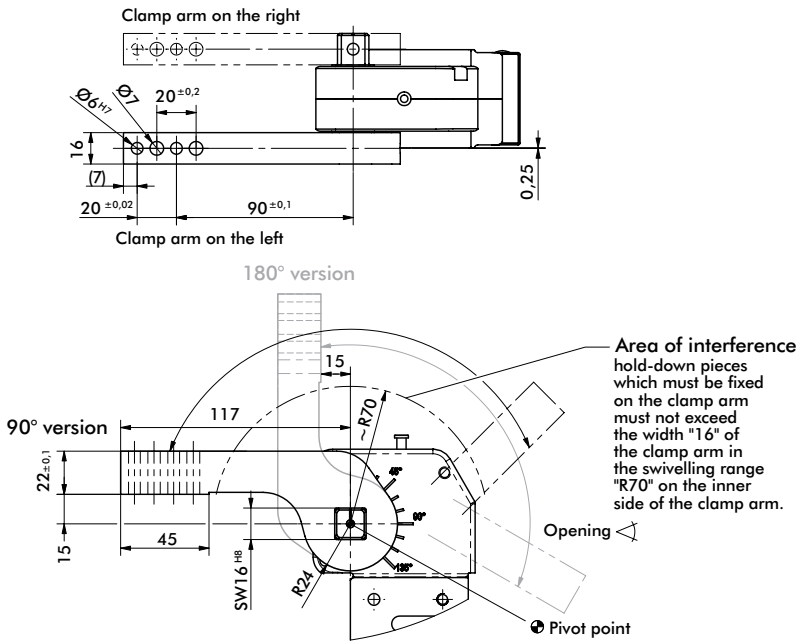
Arm Model No.	Max. Opening 90° Version	Max. Opening 180° Version	Weight (kg)
8JG-17(•)-2-01**	135°	105°	3,5

\*\*only steel version available.

# LATERAL (SIDE) ARMS

Enclosed Pneumatic Power Clamps | Heavy-Duty Modular | Dimensions and Technical Specifications

For Size 40mm

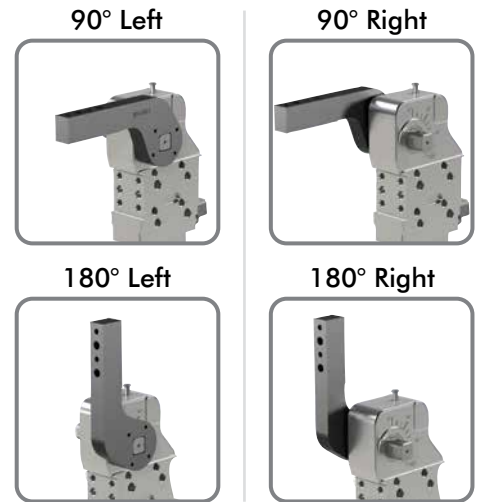
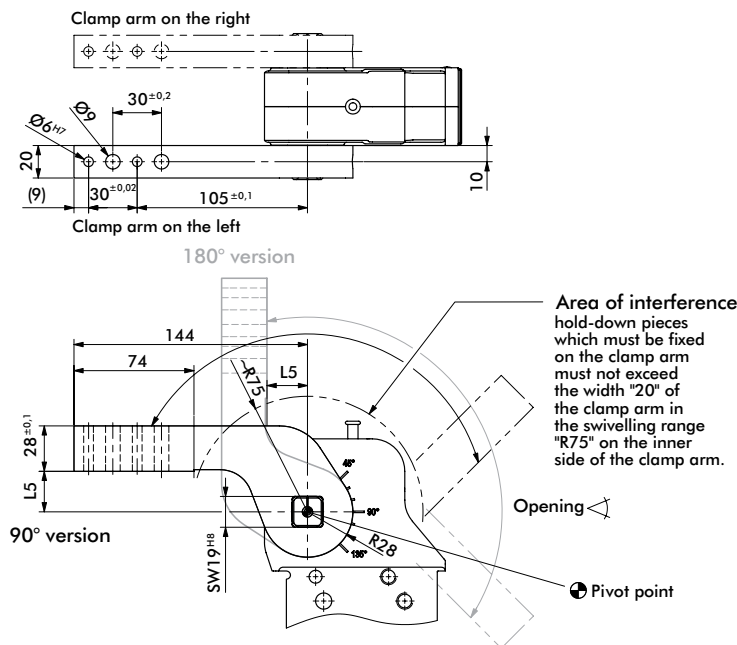


8S401-15-117

Arm Model No.	Max. Opening 90° Version	Max. Opening 180° Version	Weight (kg)
8S401-15-117	135°	120°	0,5

Models with 2 lateral clamp arms requires 2 clamp arm sets.

For Size 50mm



8JG-070-1-01  
8S501-25-144

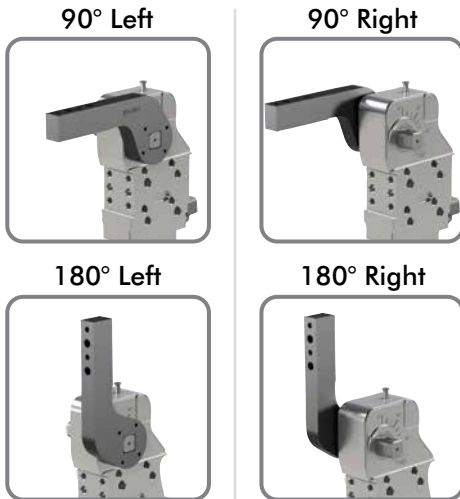
Arm Model No.	Max. Opening 90° Version	Max. Opening 180° Version	Weight (kg)	L5
8JG-070-1-01	135°	135°	0,9	15
8S501-25-144			1,0	25

Models with 2 lateral clamp arms requires 2 clamp arm sets.

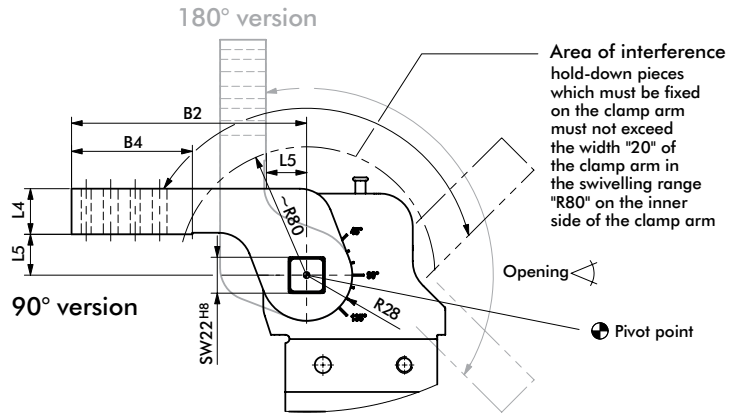
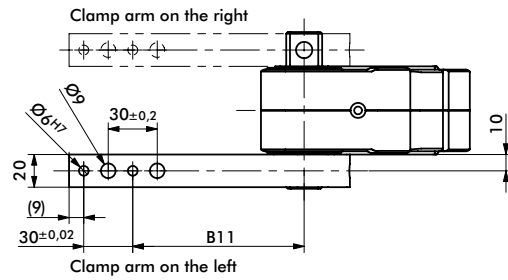
# LATERAL (SIDE) ARMS

Enclosed Pneumatic Power Clamps | Heavy-Duty Modular | Dimensions and Technical Specifications

For Size 63mm



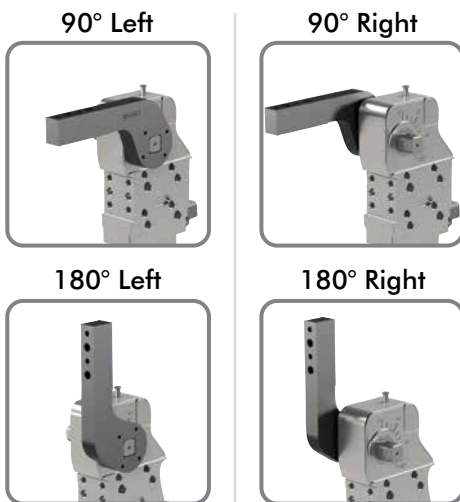
8JG-080-1-01  
8S631-25-144  
8S631-45-144  
8S631-75-204



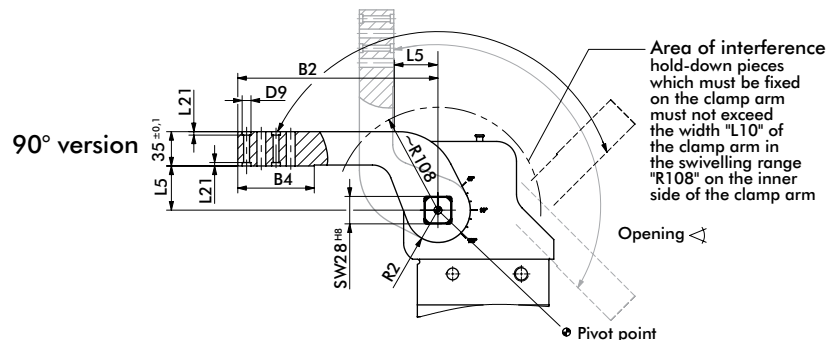
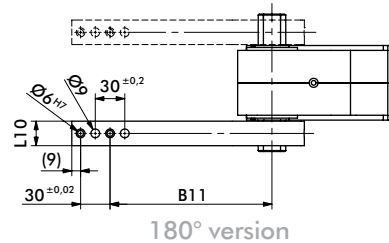
Arm Model No.	Max. Opening 90° Version	Max. Opening 180° Version	Weight (kg)	B2	B4	B11 ±0,1	L4 ±0,1	L5	
8JG-080-1-01	135°	135°	0,9					15	
8S631-25-144			1,0	144	74	105	28	25	
8S631-45-144			1,1						45
8S631-75-204			1,5	204	78	165	30	75	

Models with 2 lateral clamp arms requires 2 clamp arm sets.

For Size 80mm



8JG-1179-1-01  
8S801-45-204



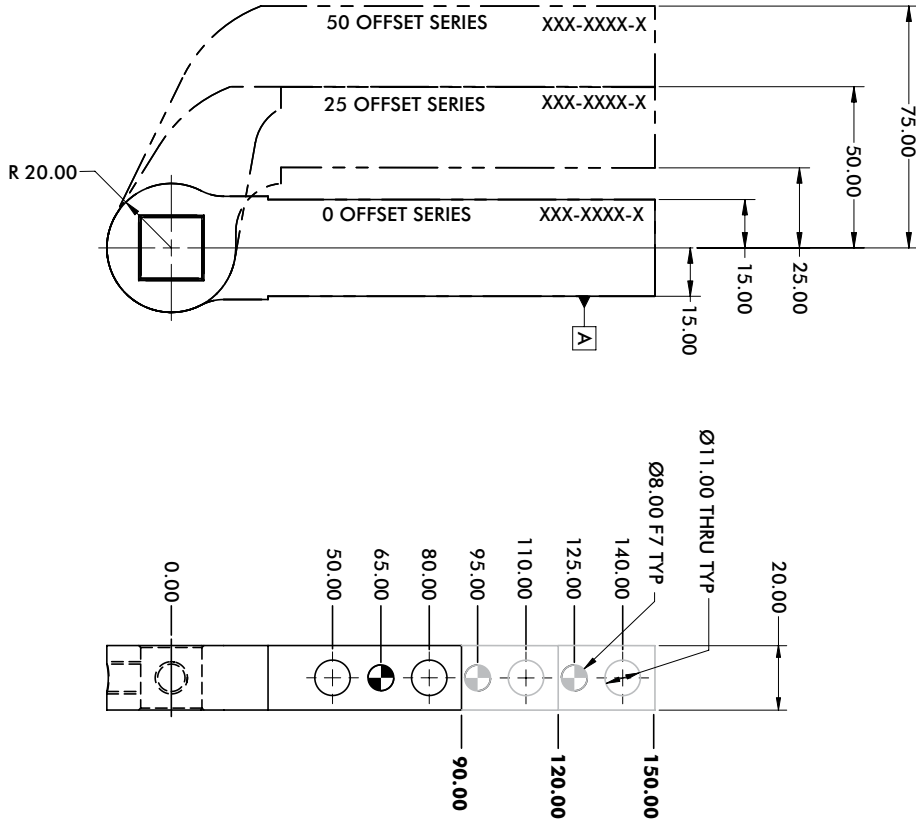
Arm Model No.	Max. Opening 90° Version	Max. Opening 180° Version	Weight (kg)	B2	B4	D9	B11 ±0,1	L5	L10	L21	R2
8JG-1179-1-01	135°	135°	2,1	179	74	-	140	20	30	-	35
8S801-45-204				204	78	9	165	45	25	3,5	33

Models with 2 lateral clamp arms requires 2 clamp arm sets.

# LATERAL (SIDE) ARMS, NAAMS-STYLE

Enclosed Pneumatic Power Clamps | Heavy-Duty Modular | Dimensions and Technical Specifications

For Size 50mm



## 9mm Thru Hole (6.00 H7 Dowel)

90mm [3.54"] Arm Length

Series	Arm Style	Model
50 Offset	▲ • 3256	B8JG-3256-1
25 Offset	▲ • 3246	B8JG-3246-1
0 Offset	▲ • 3236	B8JG-3236-1

120mm [4.72"] Arm Length

Series	Arm Style	Model
50 Offset	▲ • 3257	B8JG-3257-1
25 Offset	▲ • 3247	B8JG-3247-1
0 Offset	▲ • 3237	B8JG-3237-1

150mm [5.90"] Arm Length

Series	Arm Style	Model
50 Offset	▲ • 3258	B8JG-3258-1
25 Offset	▲ • 3248	B8JG-3248-1
0 Offset	▲ • 3238	B8JG-3238-1

## 11mm Thru Hole (8.00 F7 Dowel)

90mm [3.54"] Arm Length

Series	Arm Style	Model
50 Offset	▲ • 1226	B8JG-1226-1
25 Offset	▲ • 1216	B8JG-1216-1
0 Offset	▲ • 1206	B8JG-1206-1

120mm [4.72"] Arm Length

Series	Arm Style	Model
50 Offset	▲ • 1227	B8JG-1227-1
25 Offset	▲ • 1217	B8JG-1217-1
0 Offset	▲ • 1207	B8JG-1207-1

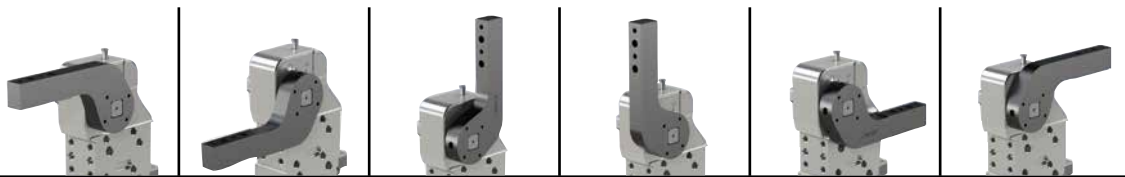
150mm [5.90"] Arm Length

Series	Arm Style	Model
50 Offset	▲ • 1228	B8JG-1228-1
25 Offset	▲ • 1218	B8JG-1218-1
0 Offset	▲ • 1208	B8JG-1208-1

▲ Common in North America

(•) STANDARD ARM OFFERING

## Maximum Opening Angle (shown in locked position)

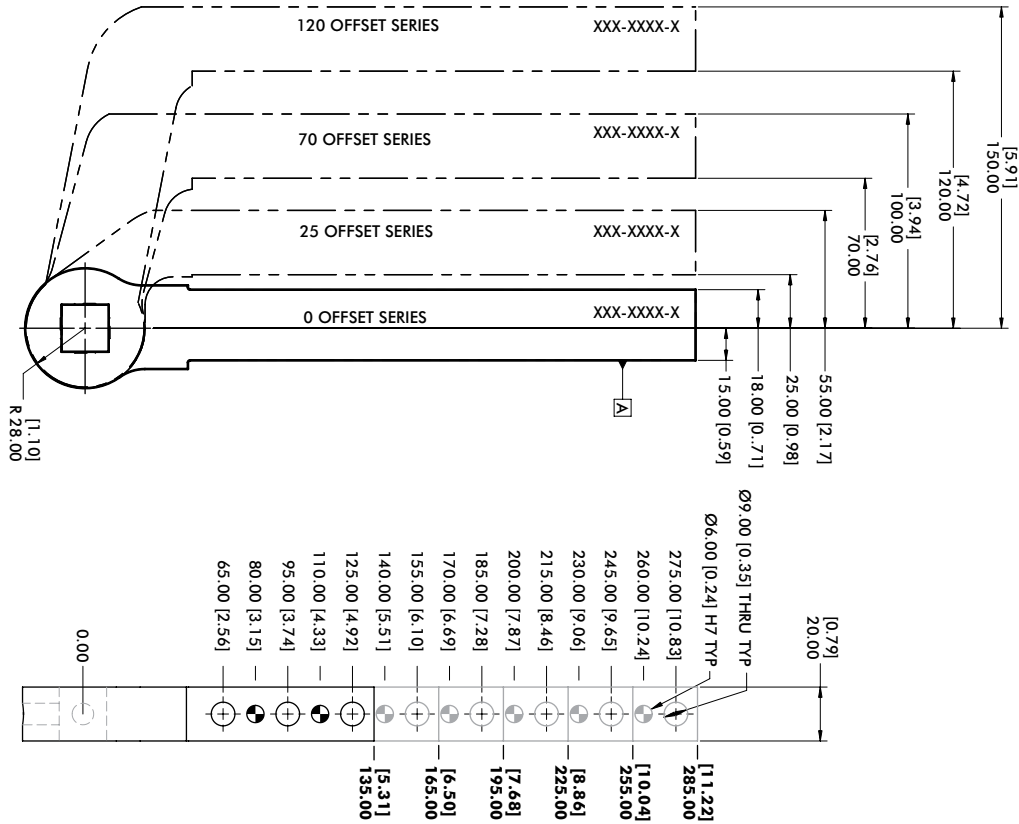


Arm Styles	135°	135°	100°	100°	N/A	N/A
1206-1208/3236-3238	135°	135°	100°	100°	N/A	N/A
1216-1218/3246-3248	135°	N/A	50°	125°	N/A	30°
1226-1228/3256-3258	125°	N/A	35°	135°	N/A	50°

# LATERAL (SIDE) ARMS, NAAMS-STYLE

Enclosed Pneumatic Power Clamps | Heavy-Duty Modular | Dimensions and Technical Specifications

For Size 63mm with 23 Clamp Arm Shaft Option



### 135mm [5.31"] Arm Length

Series	Arm Style	Model
120 Offset	▲ 1543	B8JG-1543-1
70 Offset	▲ 1531	B8JG-1531-1
25 Offset	▲ 1519	B8JG-1519-1
0 Offset	▲ 1507	B8JG-1507-1

### 165mm [6.50"] Arm Length

Series	Arm Style	Model
120 Offset	▲ 1544	B8JG-1544-1
70 Offset	▲ 1532	B8JG-1532-1
25 Offset	▲ 1520	B8JG-1520-1
0 Offset	▲ 1508	B8JG-1508-1

### 195mm [7.68"] Arm Length

Series	Arm Style	Model
120 Offset	▲ 1545	B8JG-1545-1
70 Offset	▲ 1533	B8JG-1533-1
25 Offset	▲ 1521	B8JG-1521-1
0 Offset	▲ 1509	B8JG-1509-1

### 225mm [8.86"] Arm Length

Series	Arm Style	Model
120 Offset	▲ 1546	B8JG-1546-1
70 Offset	▲ 1534	B8JG-1534-1
25 Offset	▲ 1522	B8JG-1522-1
0 Offset	▲ 1510	B8JG-1510-1

### 255mm [10.04"] Arm Length

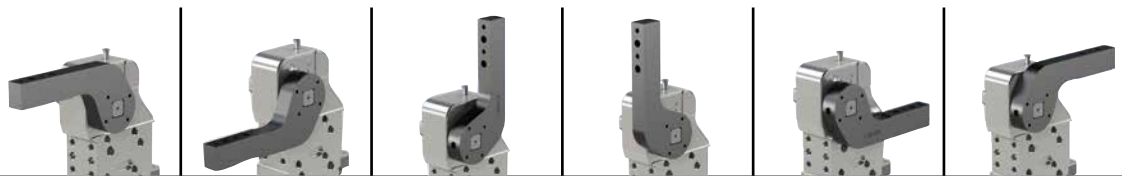
Series	Arm Style	Model
120 Offset	▲ 1547	B8JG-1547-1
70 Offset	▲ 1535	B8JG-1535-1
25 Offset	▲ 1523	B8JG-1523-1
0 Offset	▲ 1511	B8JG-1511-1

### 285mm [11.22"] Arm Length

Series	Arm Style	Model
120 Offset	▲ 1548	B8JG-1548-1
70 Offset	▲ 1536	B8JG-1536-1
25 Offset	▲ 1524	B8JG-1524-1
0 Offset	▲ 1512	B8JG-1512-1

▲ Common in North America

### Maximum Opening Angle (shown in locked position)



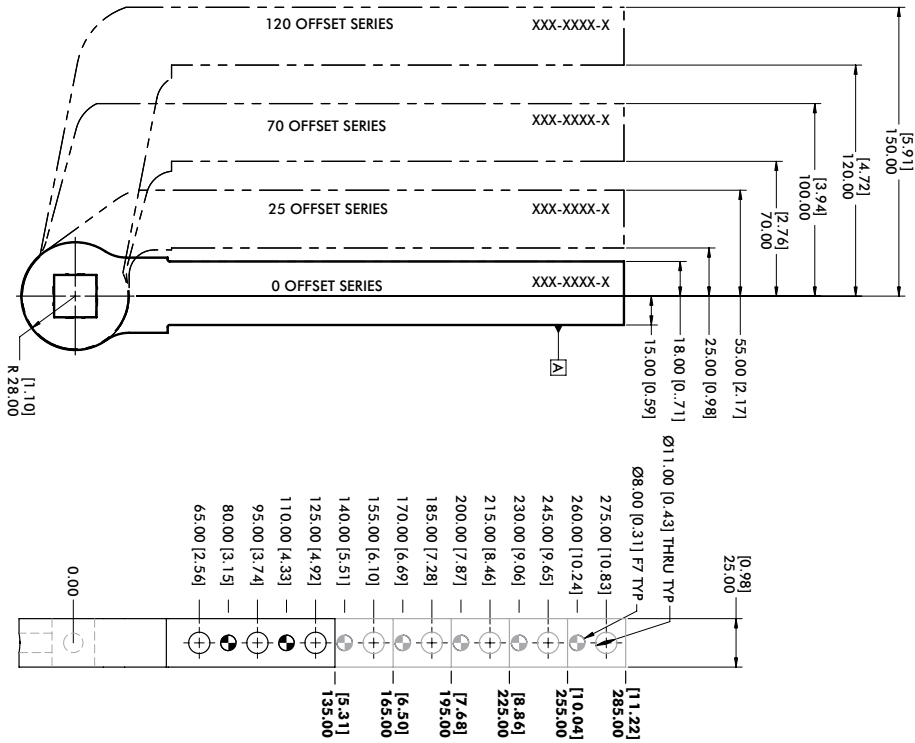
Arm Styles	1	2	3	4	5	6
1510-1512/1507-1509	135°	135°	100°	100°	N/A	N/A
1522-1524/1519-1521	135°	N/A	50°	130°	N/A	40°
1534-1536/1531-1533	115°	N/A	25°	135°	N/A	75°
1546-1548/1543-1545	110°	N/A	20°	135°	N/A	85°



# LATERAL (SIDE) ARMS, NAAMS-STYLE

Enclosed Pneumatic Power Clamps | Heavy-Duty Modular | Dimensions and Technical Specifications

For Size 63mm with D0 Clamp Arm Shaft Option



### 135mm [5.31"] Arm Length

Series	Arm Style	Model
120 Offset	▲ • 1043	B8JG-1043-1
70 Offset	▲ • 1031	B8JG-1031-1
25 Offset	▲ • 1019	B8JG-1019-1
0 Offset	▲ • 1007	B8JG-1007-1

### 165mm [6.50"] Arm Length

Series	Arm Style	Model
120 Offset	▲ ⓘ 1044	B8JG-1044-1
70 Offset	▲ • 1032	B8JG-1032-1
25 Offset	▲ • 1020	B8JG-1020-1
0 Offset	▲ • 1008	B8JG-1008-1

### 195mm [7.68"] Arm Length

Series	Arm Style	Model
120 Offset	▲ ⓘ 1045	B8JG-1045-1
70 Offset	▲ • 1033	B8JG-1033-1
25 Offset	▲ ⓘ 1021	B8JG-1021-1
0 Offset	▲ • 1009	B8JG-1009-1

### 225mm [8.86"] Arm Length

Series	Arm Style	Model
120 Offset	▲ ⓘ 1046	B8JG-1046-1
70 Offset	▲ • 1034	B8JG-1034-1
25 Offset	▲ ⓘ 1022	B8JG-1022-1
0 Offset	▲ ⓘ 1010	B8JG-1010-1

### 255mm [10.04"] Arm Length

Series	Arm Style	Model
120 Offset	▲ ⓘ 1047	B8JG-1047-1
70 Offset	▲ • 1035	B8JG-1035-1
25 Offset	▲ ⓘ 1023	B8JG-1023-1
0 Offset	▲ ⓘ 1011	B8JG-1011-1

### 285mm [11.22"] Arm Length

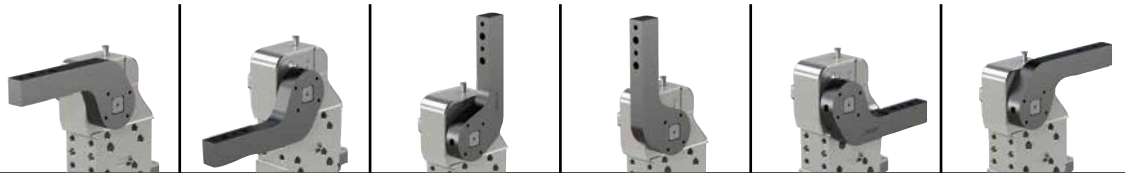
Series	Arm Style	Model
120 Offset	▲ ⓘ 1048	B8JG-1048-1
70 Offset	▲ ⓘ 1036	B8JG-1036-1
25 Offset	▲ ⓘ 1024	B8JG-1024-1
0 Offset	▲ ⓘ 1012	B8JG-1012-1

▲ Common in North America

(•) STANDARD ARM OFFERING

(ⓘ) NON-STANDARD ARM OFFERING (extended leadtimes apply)

### Maximum Opening Angle (shown in locked position)

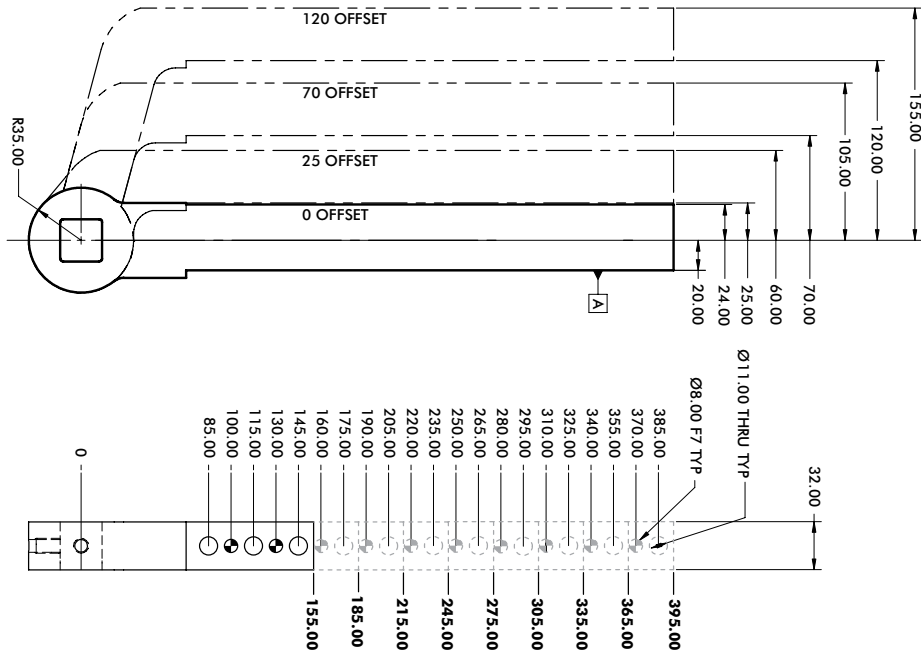


Arm Styles	135°	135°	100°	100°	N/A	N/A
1010-1012/1007-1009	135°	135°	100°	100°	N/A	N/A
1022-1024/1019-1021	135°	N/A	50°	130°	N/A	40°
1034-1036/1031-1033	115°	N/A	25°	135°	N/A	75°
1046-1048/1043-1045	110°	N/A	20°	135°	N/A	85°

# LATERAL (SIDE) ARMS, NAAMS-STYLE

Enclosed Pneumatic Power Clamps | Heavy-Duty Modular | Dimensions and Technical Specifications

For Size 80mm



### 155mm [4.53"] Arm Length

Series	Arm Style	Model
120 Offset	▲ (i) 1170	B8JG-1170-1
70 Offset	▲ • 1150	B8JG-1150-1
25 Offset	▲ (i) 1130	B8JG-1130-1
0 Offset	▲ (i) 1110	B8JG-1110-1

### 185mm [7.28"] Arm Length

Series	Arm Style	Model
120 Offset	▲ (i) 1171	B8JG-1171-1
70 Offset	▲ (i) 1151	B8JG-1151-1
25 Offset	▲ (i) 1131	B8JG-1131-1
0 Offset	▲ (i) 1111	B8JG-1111-1

### 215mm [8.46"] Arm Length

Series	Arm Style	Model
120 Offset	▲ (i) 1172	B8JG-1172-1
70 Offset	▲ (i) 1152	B8JG-1152-1
25 Offset	▲ (i) 1132	B8JG-1132-1
0 Offset	▲ • 1112	B8JG-1112-1

### 245mm [9.65"] Arm Length

Series	Arm Style	Model
120 Offset	▲ (i) 1173	B8JG-1173-1
70 Offset	▲ (i) 1153	B8JG-1153-1
25 Offset	▲ (i) 1133	B8JG-1133-1
0 Offset	▲ (i) 1113	B8JG-1113-1

### 275mm [10.83"] Arm Length

Series	Arm Style	Model
120 Offset	▲ (i) 1174	B8JG-1174-1
70 Offset	▲ (i) 1154	B8JG-1154-1
25 Offset	▲ • 1134	B8JG-1134-1
0 Offset	▲ (i) 1114	B8JG-1114-1

### 305mm [12.00"] Arm Length

Series	Arm Style	Model
120 Offset	▲ (i) 1175	B8JG-1175-1
70 Offset	▲ • 1155	B8JG-1155-1
25 Offset	▲ (i) 1135	B8JG-1135-1
0 Offset	▲ (i) 1115	B8JG-1115-1

### 335mm [13.19"] Arm Length

Series	Arm Style	Model
120 Offset	▲ (i) 1176	B8JG-1176-1
70 Offset	▲ (i) 1156	B8JG-1156-1
25 Offset	▲ (i) 1136	B8JG-1136-1
0 Offset	▲ (i) 1116	B8JG-1116-1

### 365mm [14.37"] Arm Length

Series	Arm Style	Model
120 Offset	▲ (i) 1177	B8JG-1177-1
70 Offset	▲ (i) 1157	B8JG-1157-1
25 Offset	▲ (i) 1137	B8JG-1137-1
0 Offset	▲ (i) 1117	B8JG-1117-1

### 395mm [15.55"] Arm Length

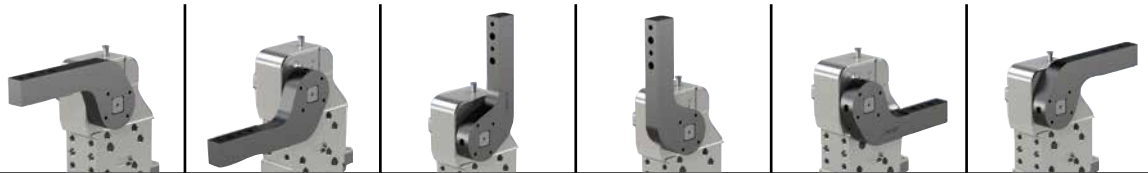
Series	Arm Style	Model
120 Offset	▲ (i) 1178	B8JG-1178-1
70 Offset	▲ • 1158	B8JG-1158-1
25 Offset	▲ (i) 1138	B8JG-1138-1
0 Offset	▲ • 1118	B8JG-1118-1

▲ Common in North America

(•) STANDARD ARM OFFERING

(i) NON-STANDARD ARM OFFERING (extended leadtimes apply)

### Maximum Opening Angle (shown in locked position)



Arm Styles	1110 - 1118	1130 - 1138	1150 - 1158	1170 - 1178
1110 - 1118	135°	135°	100°	100°
1130 - 1138	135°	N/A	60°	120°
1150 - 1158	125°	N/A	35°	135°
1170 - 1178	115°	N/A	25°	135°